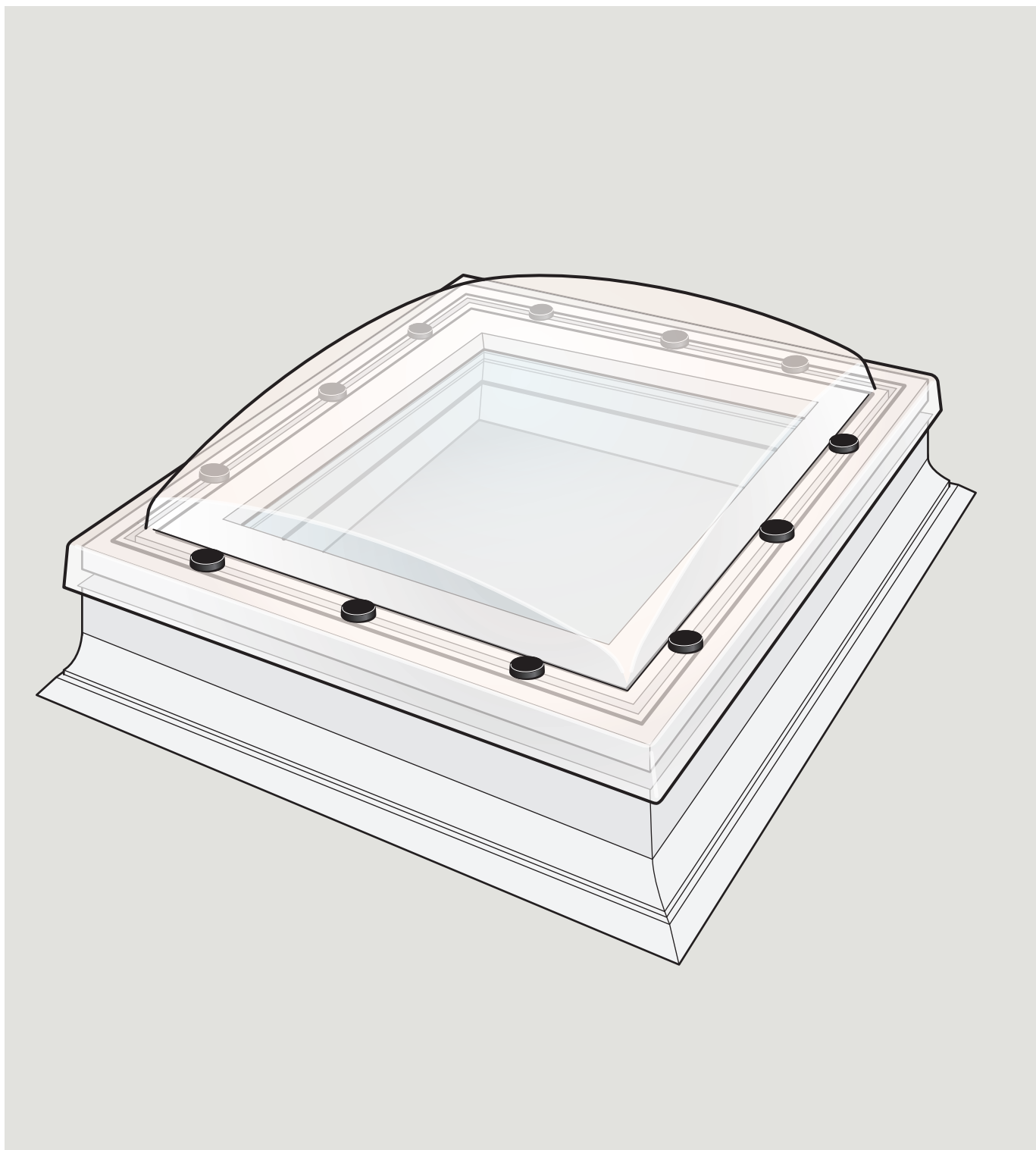
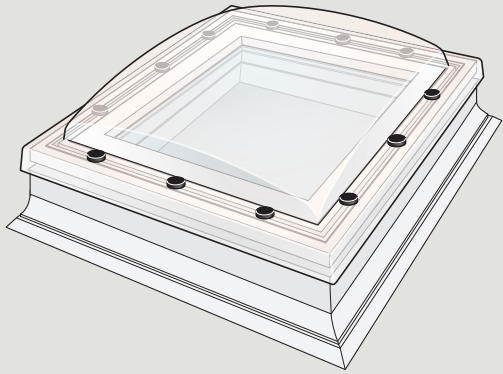


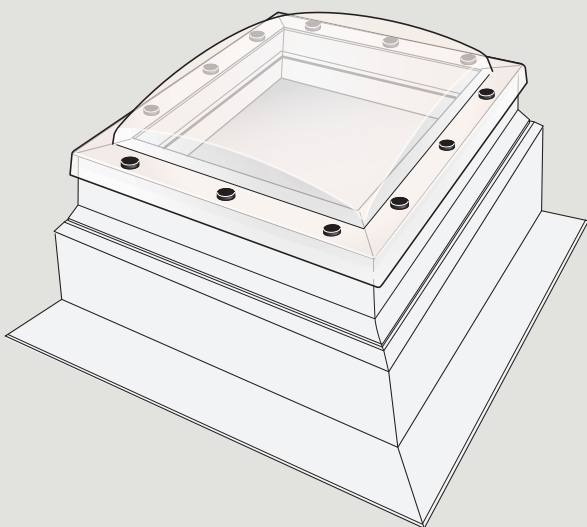
CXP + ISD
CXP + ZCE + ISD





CXP+ISD

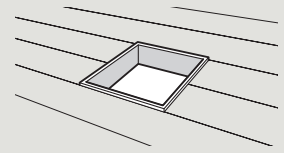
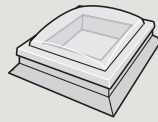
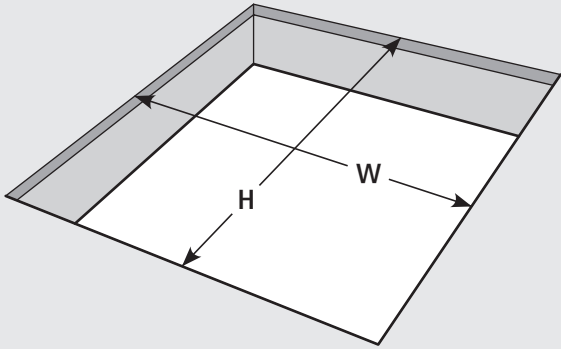
**Pages
4-9**



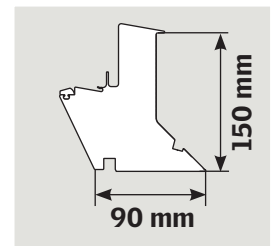
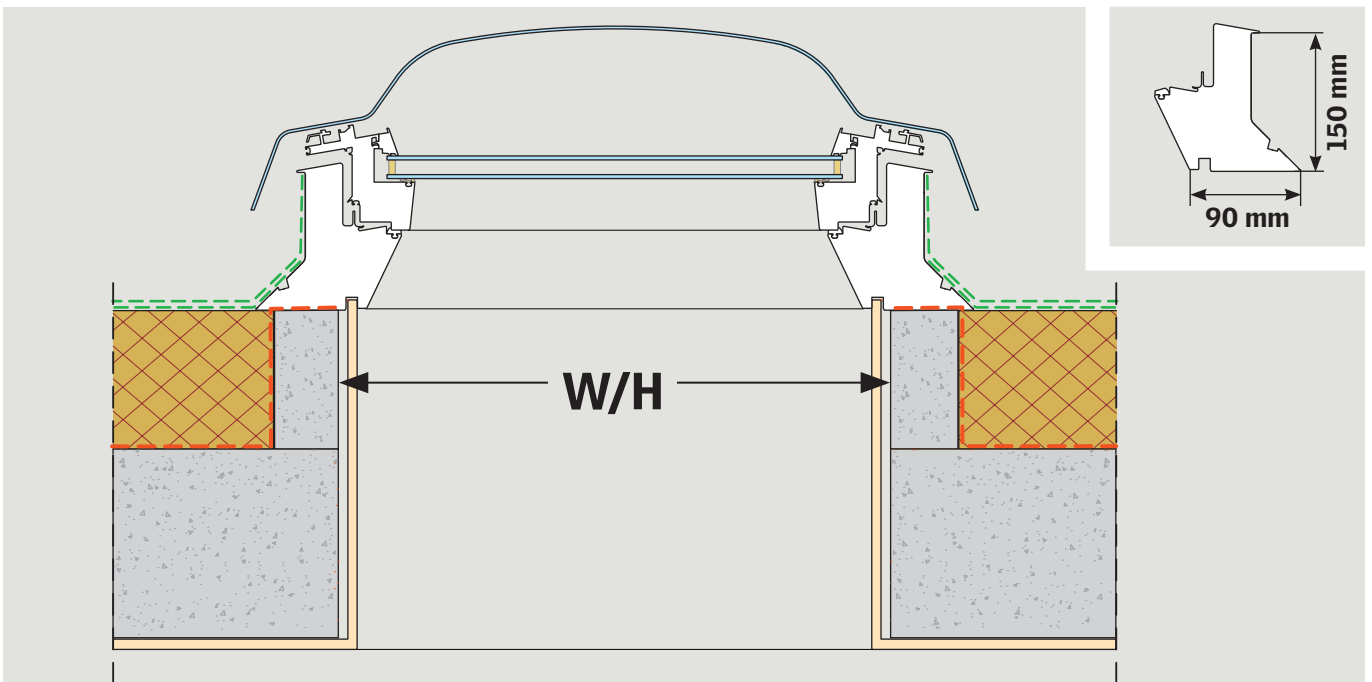
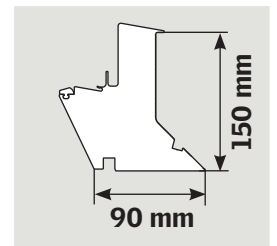
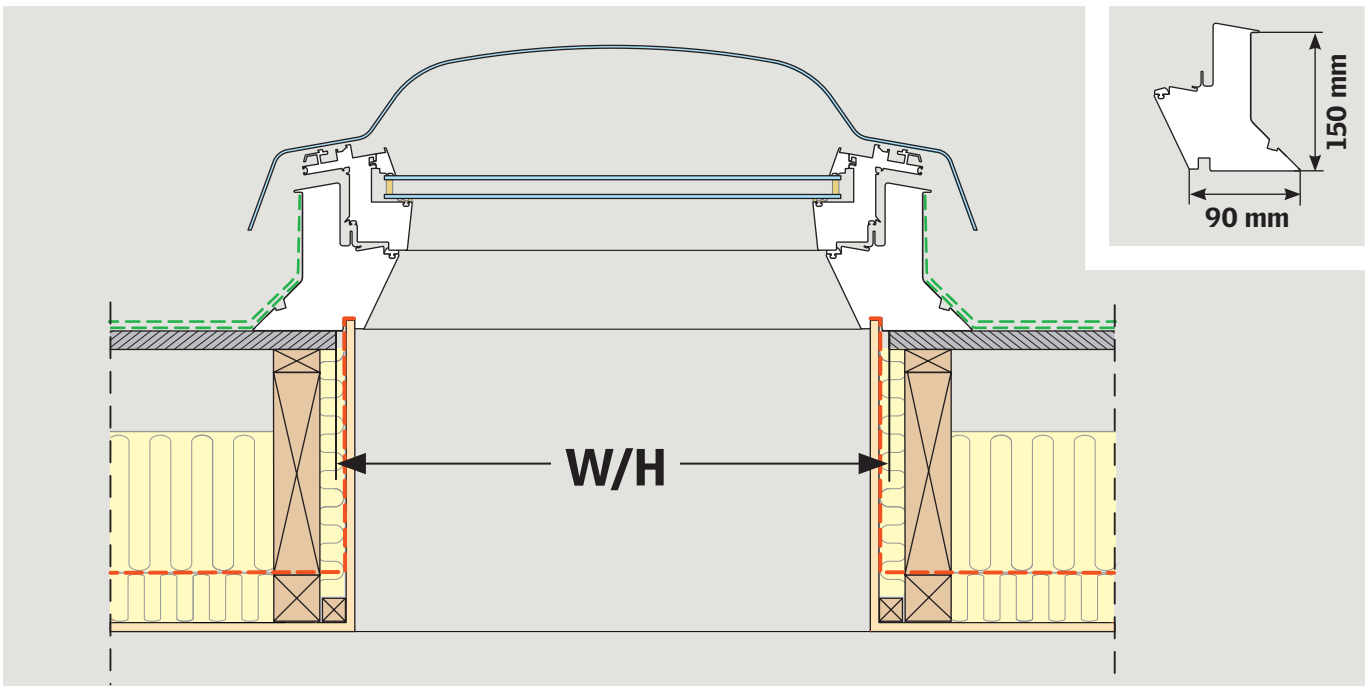
CXP + ZCE +ISD

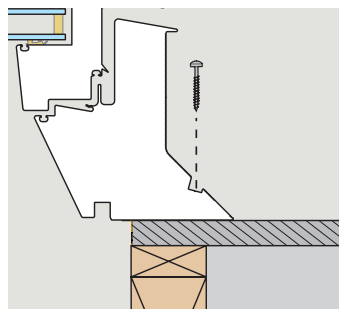
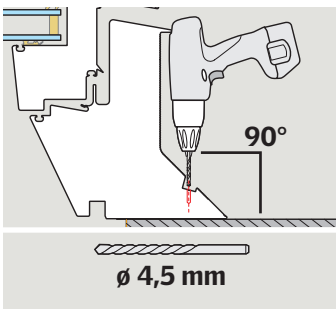
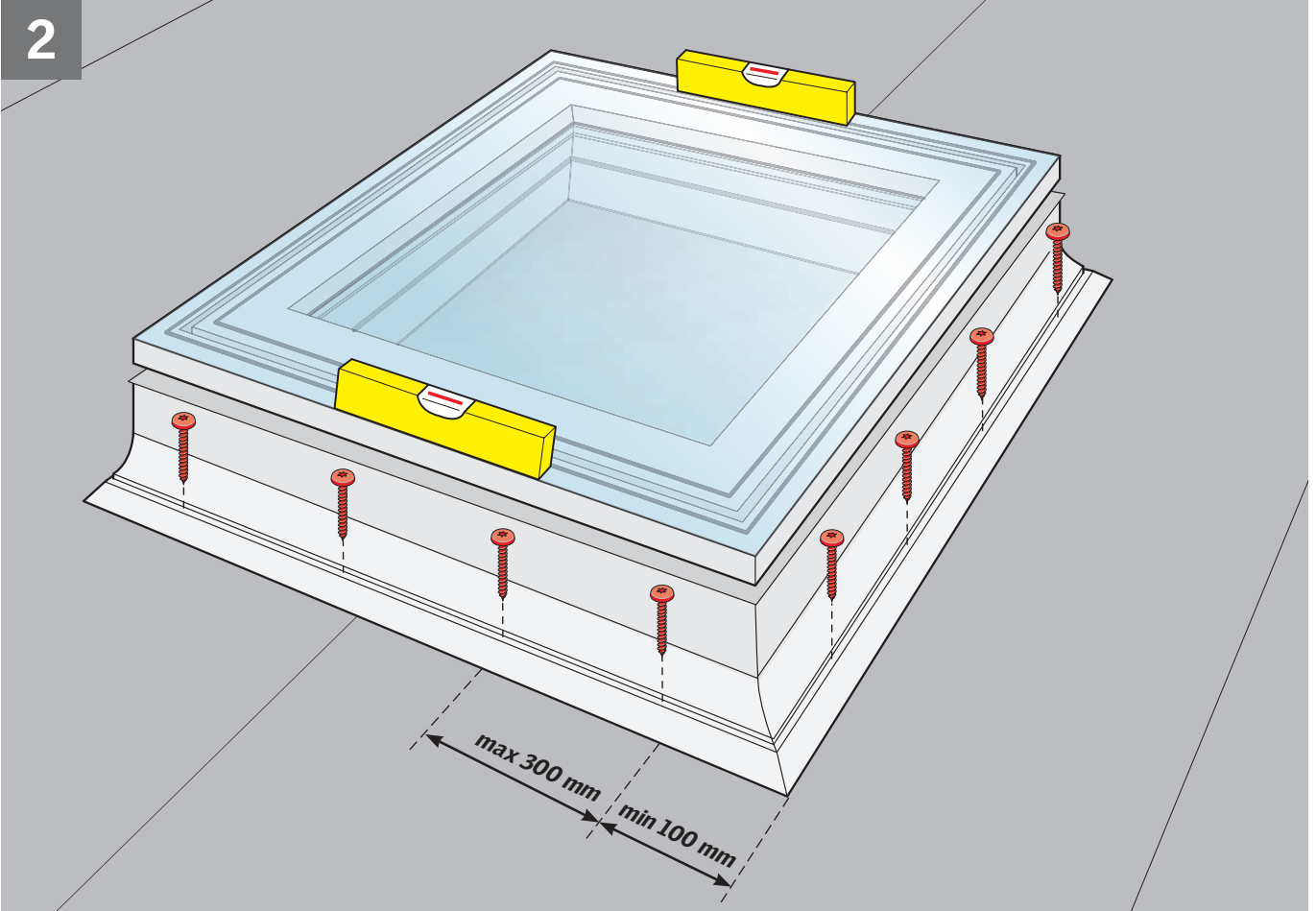
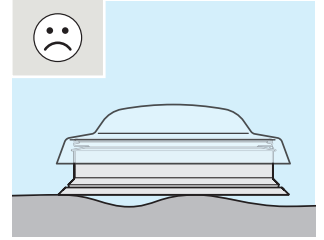
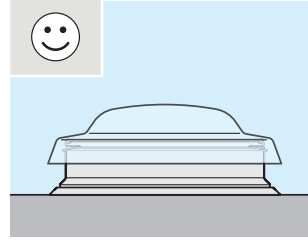
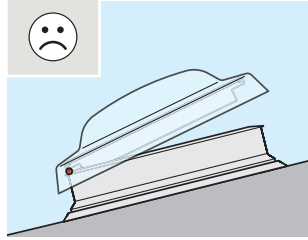
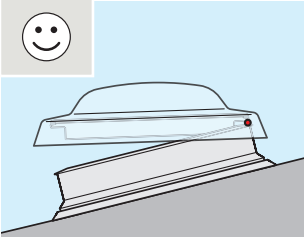
**Pages
10-17**

1

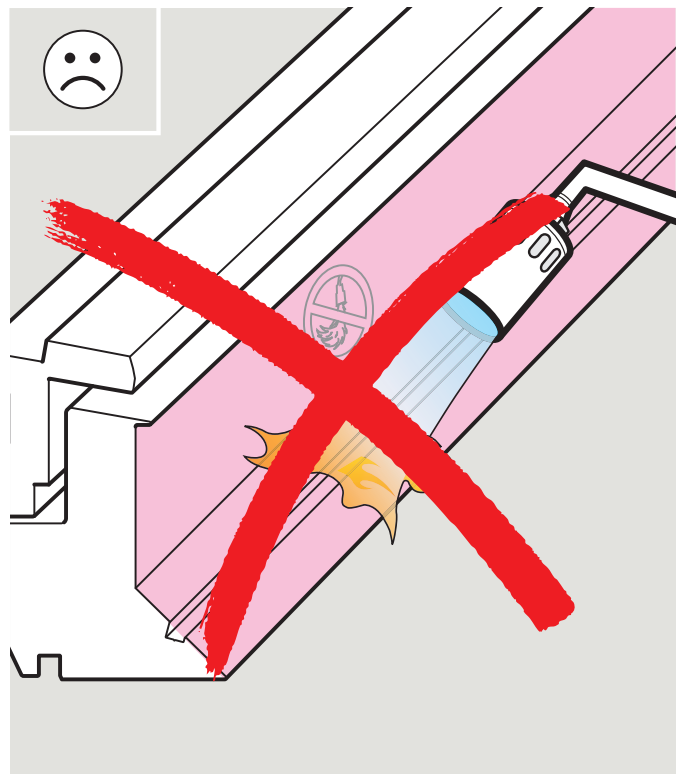
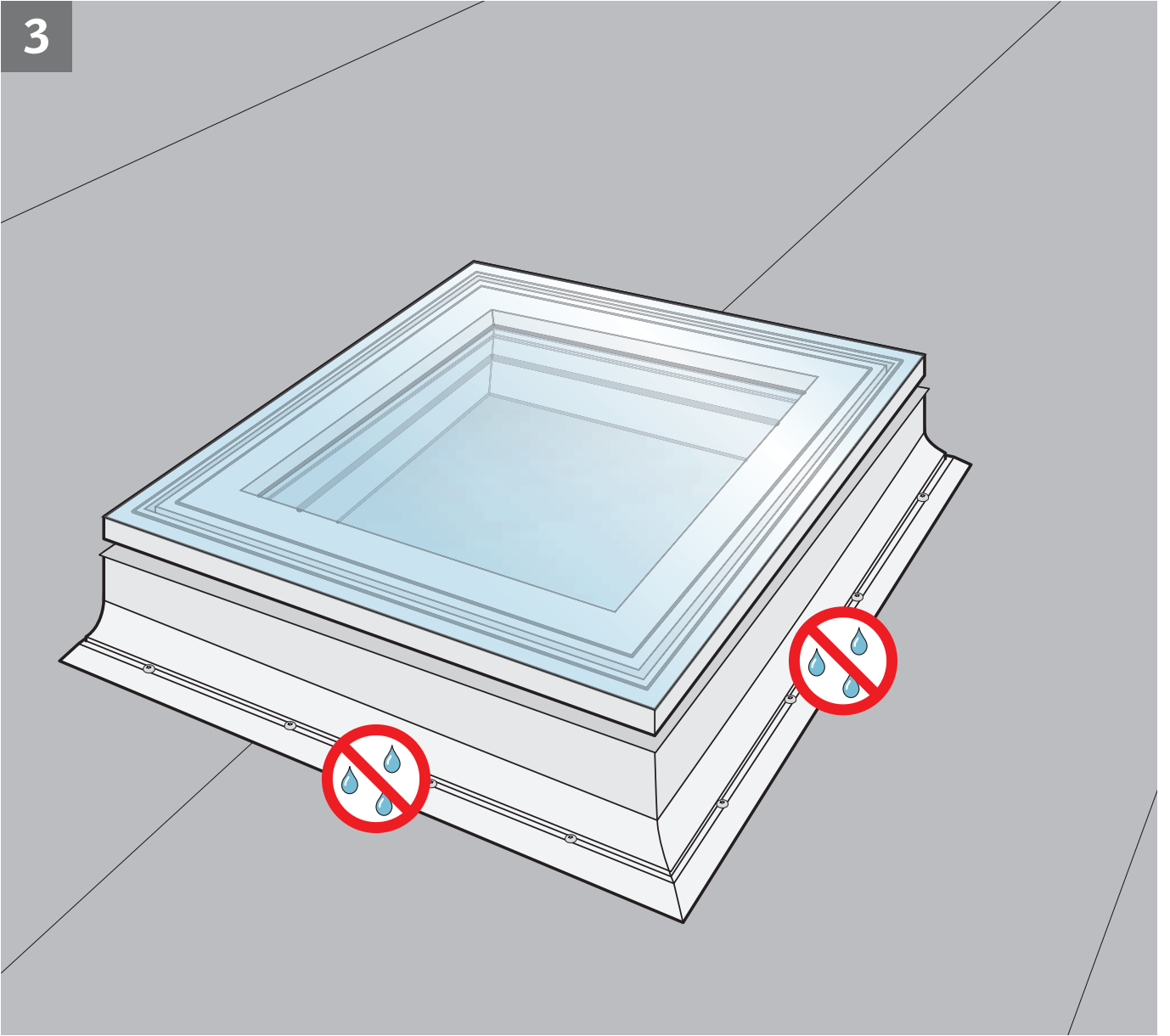


CXP	W mm	H mm
090120	900-910	1200-1210
100100	1000-1010	1000-1010
120120	1200-1210	1200-1210

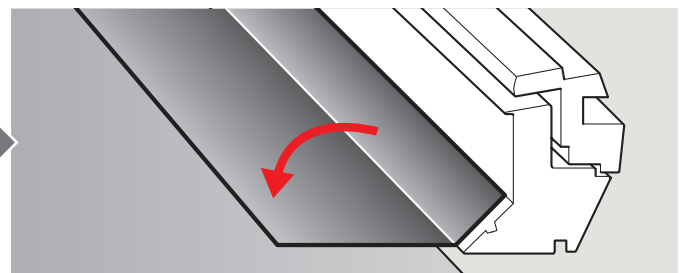
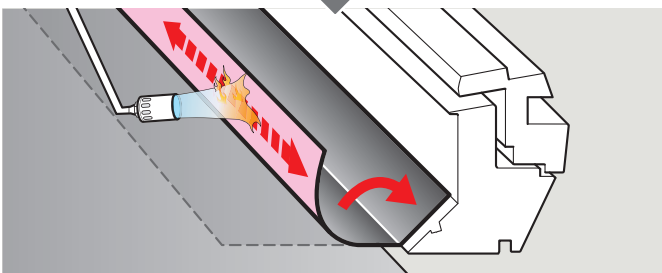
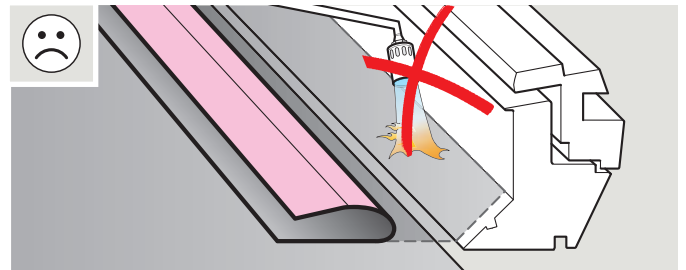
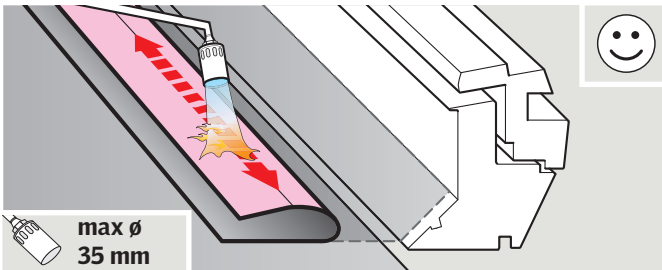
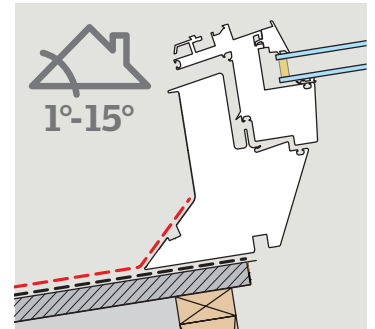
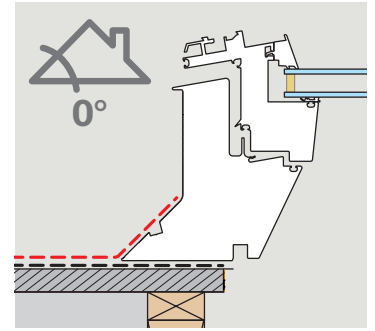
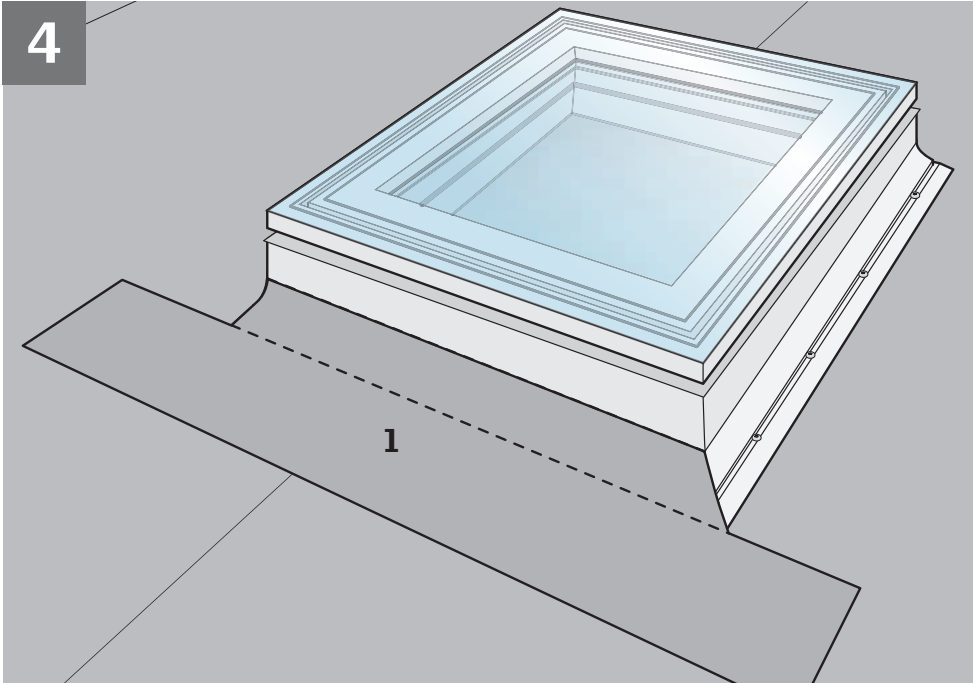




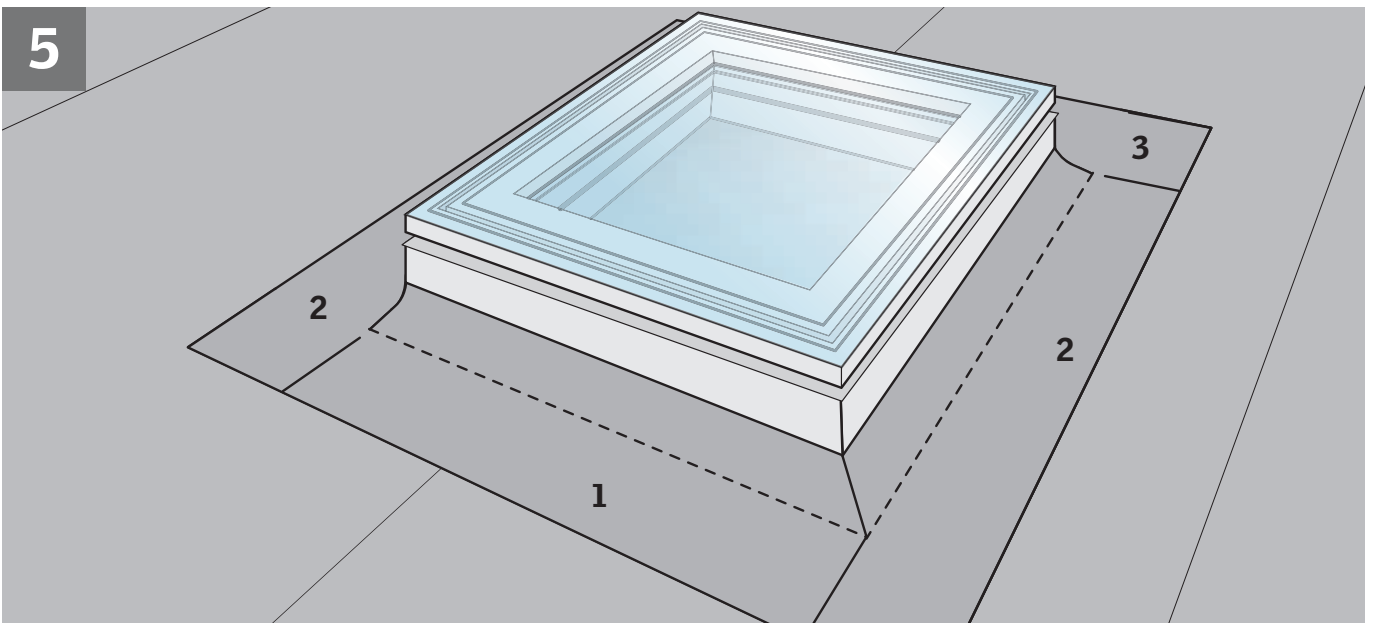
3



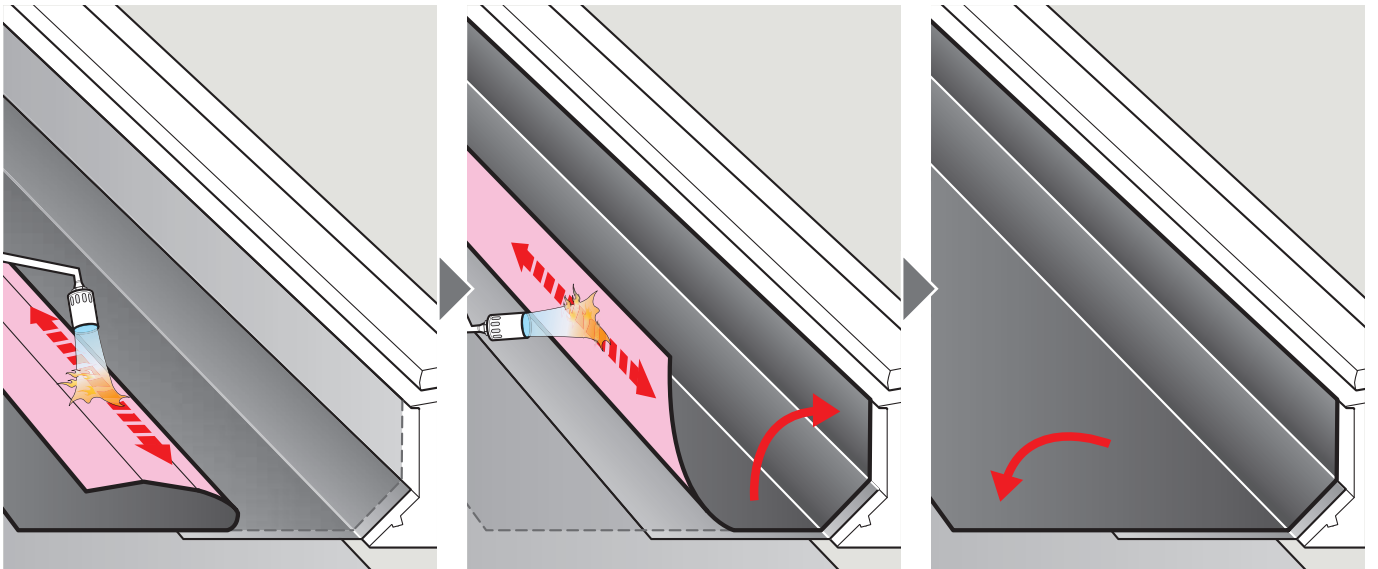
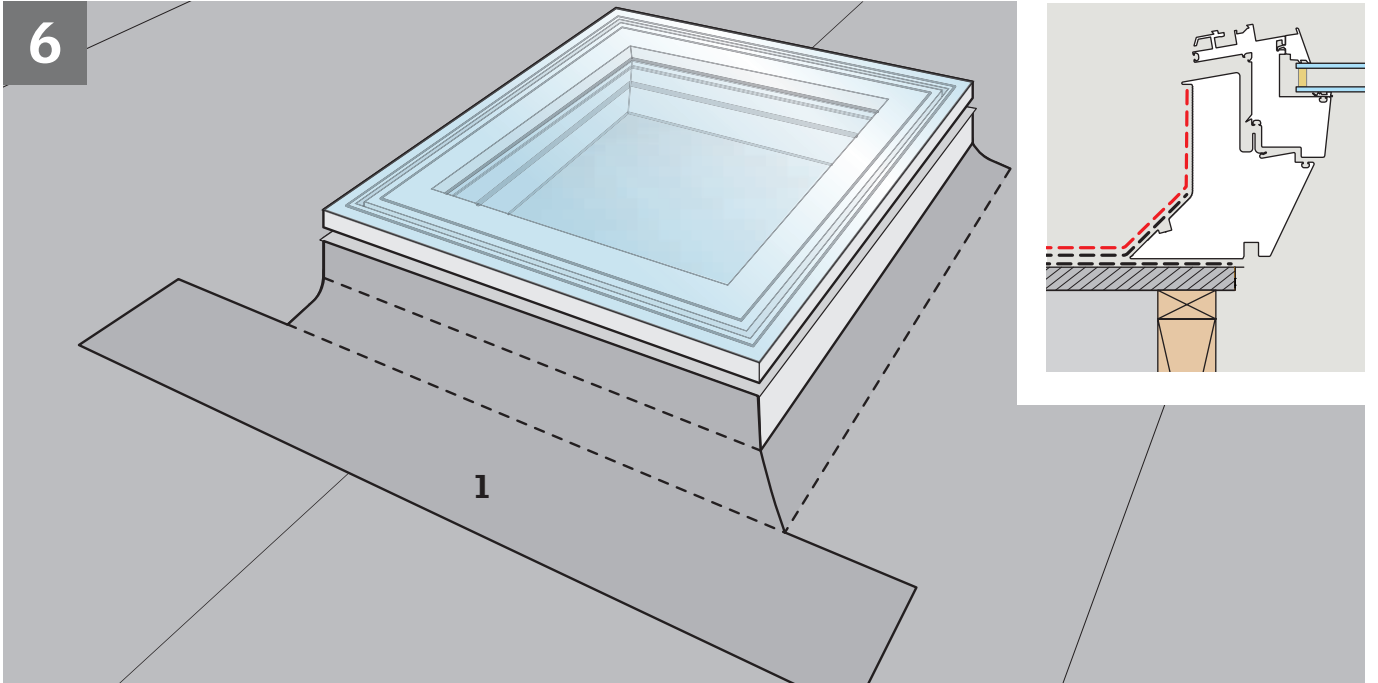
4



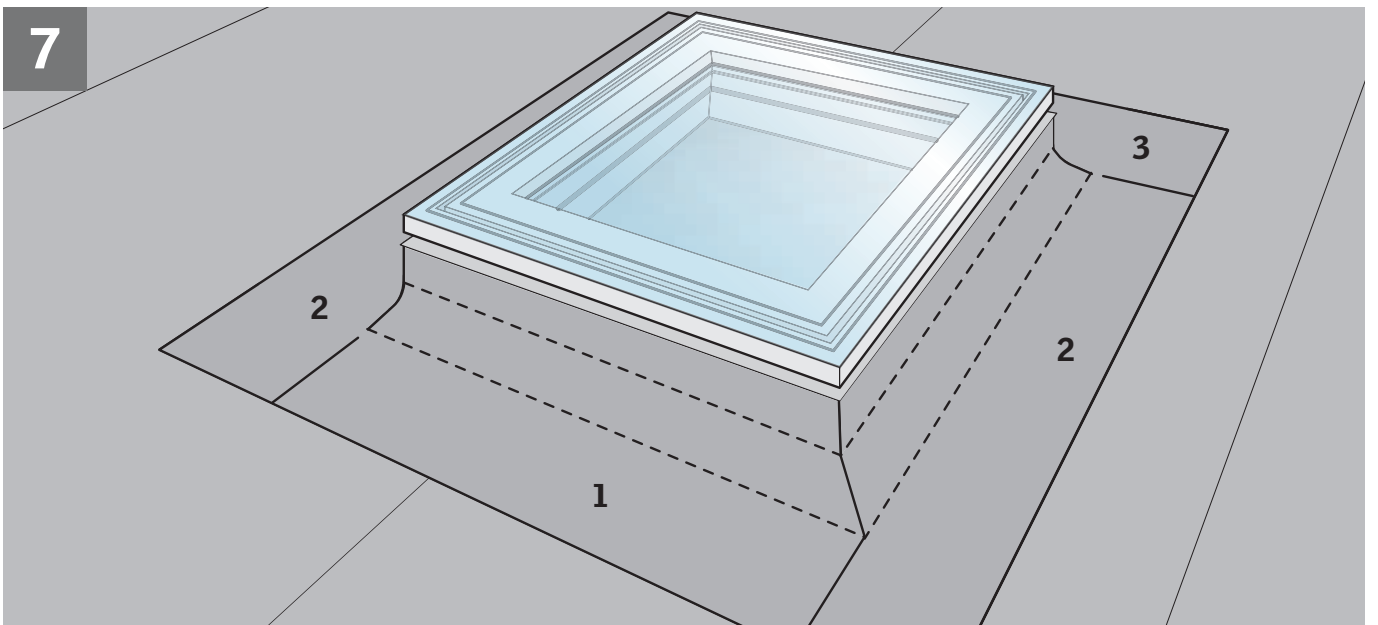
5



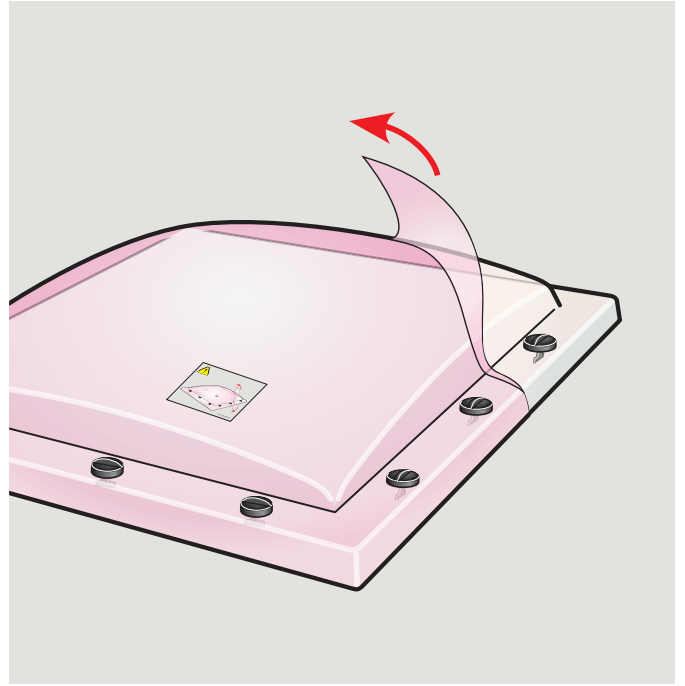
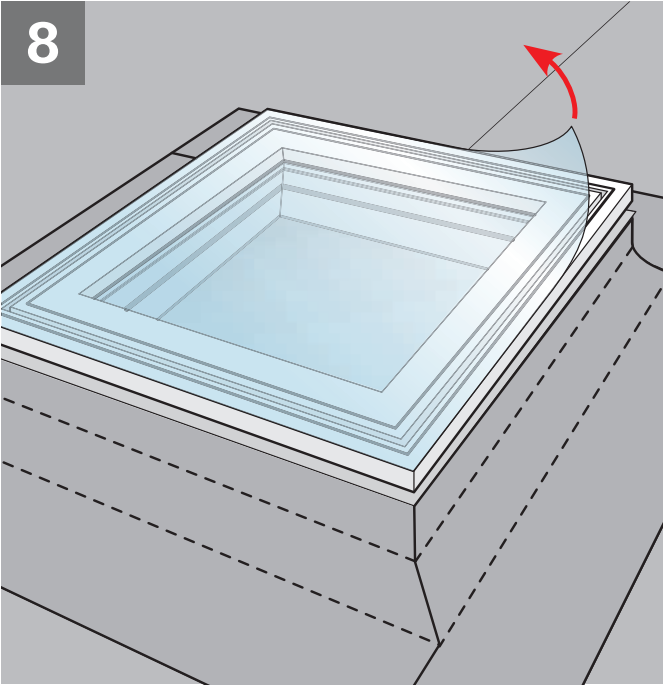
6



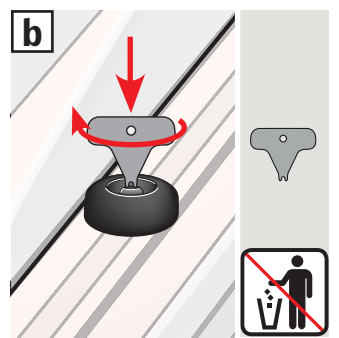
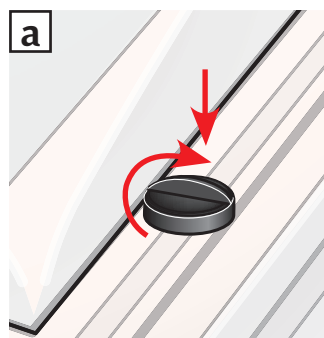
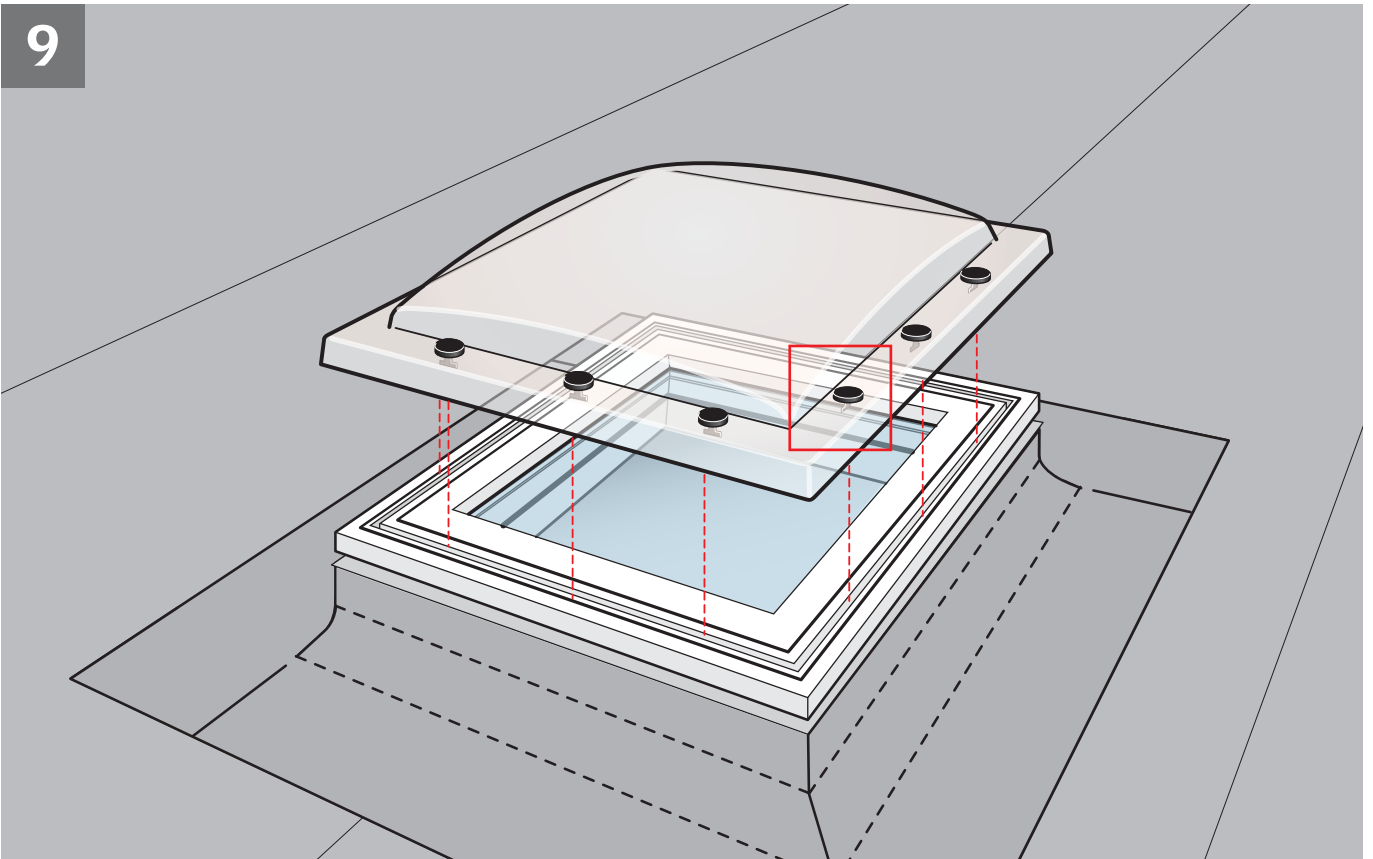
7



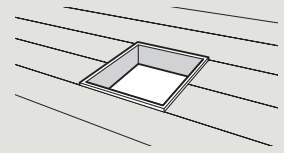
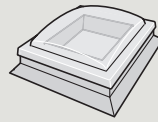
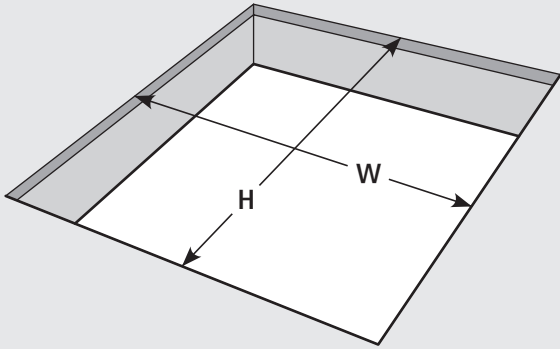
8



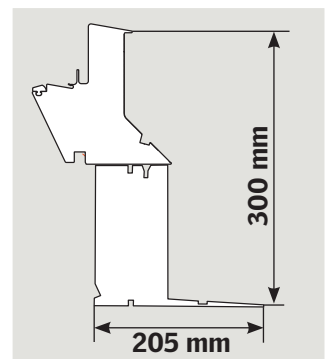
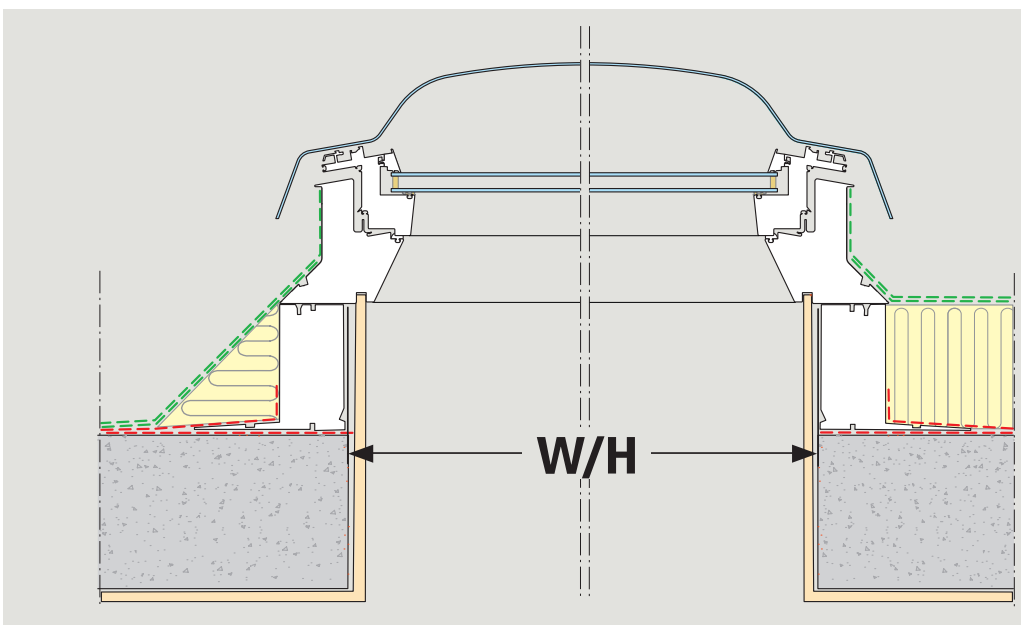
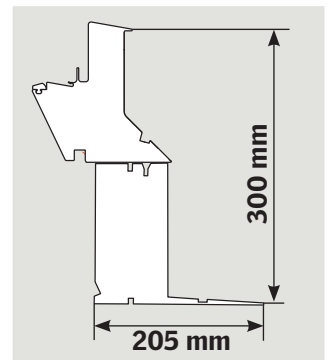
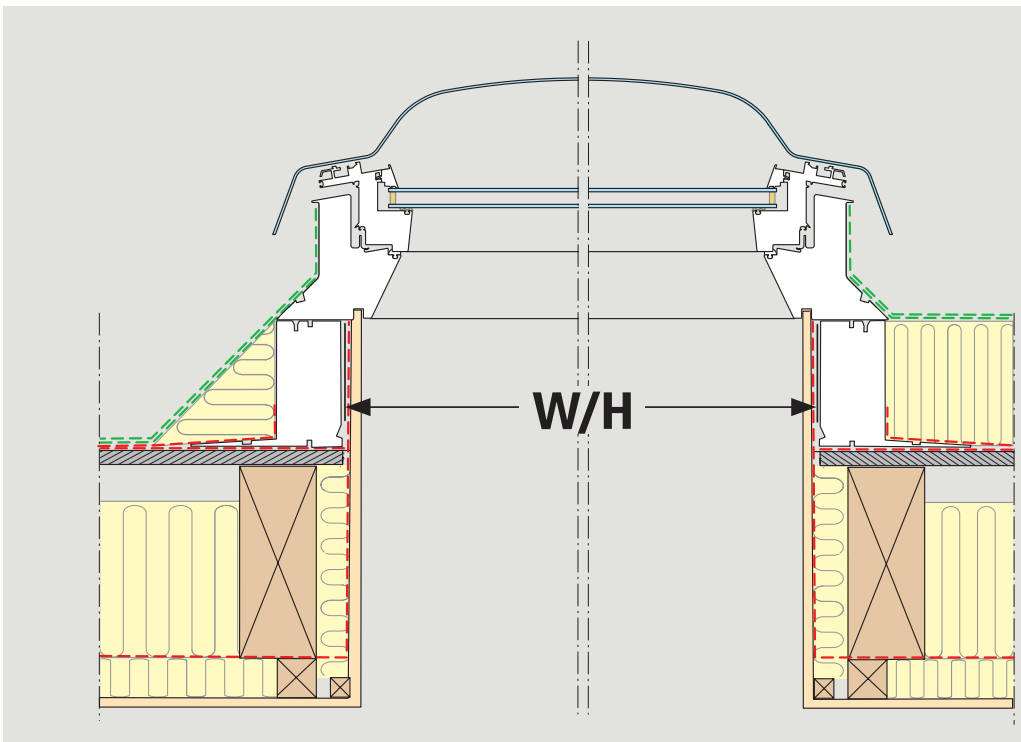
9

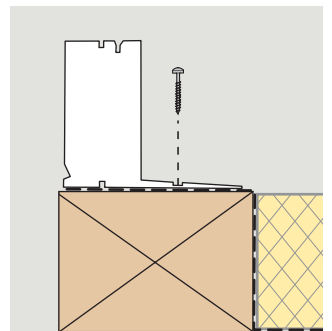
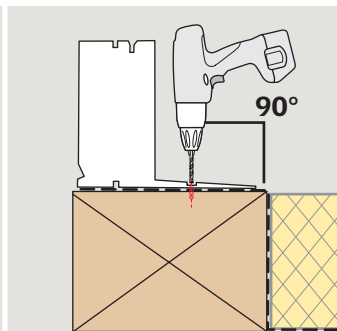
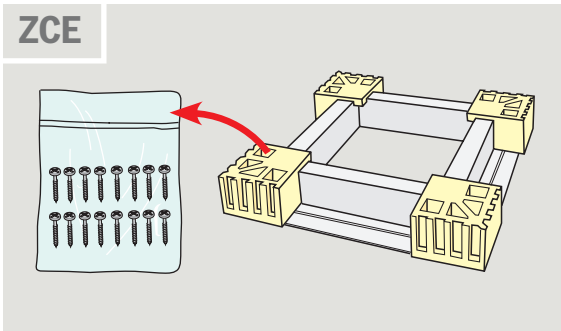
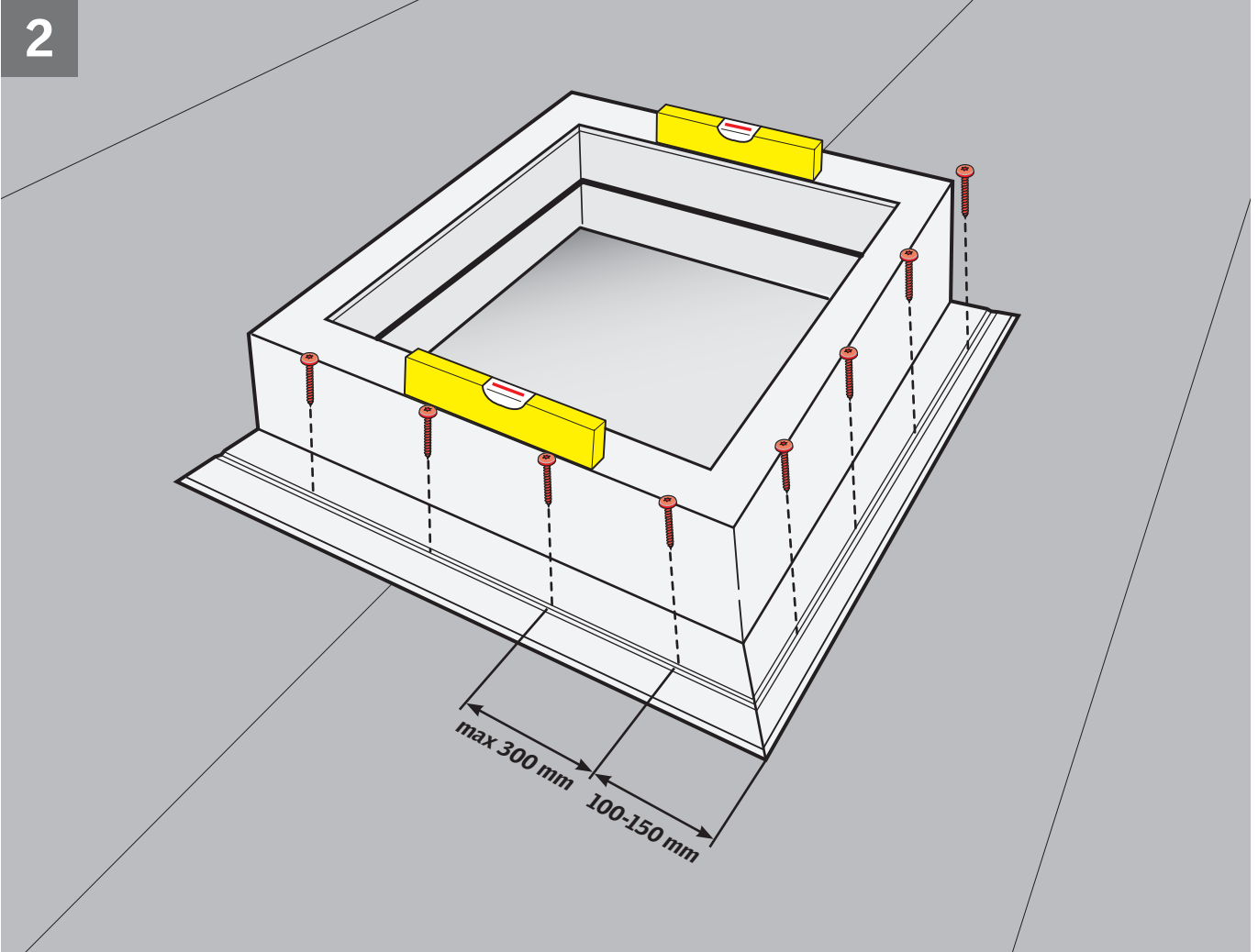
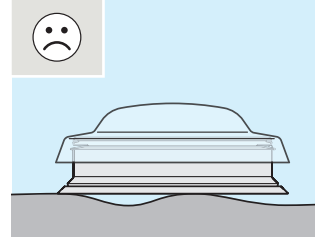
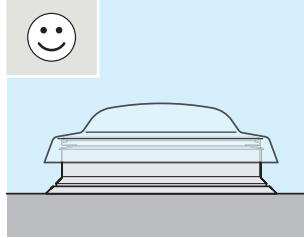
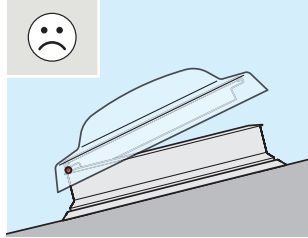
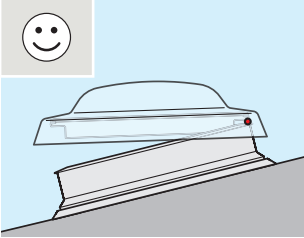


1

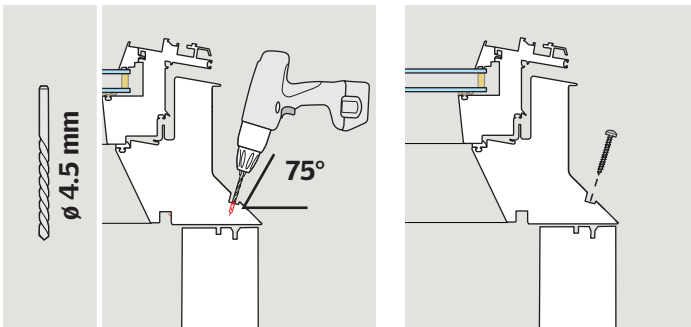
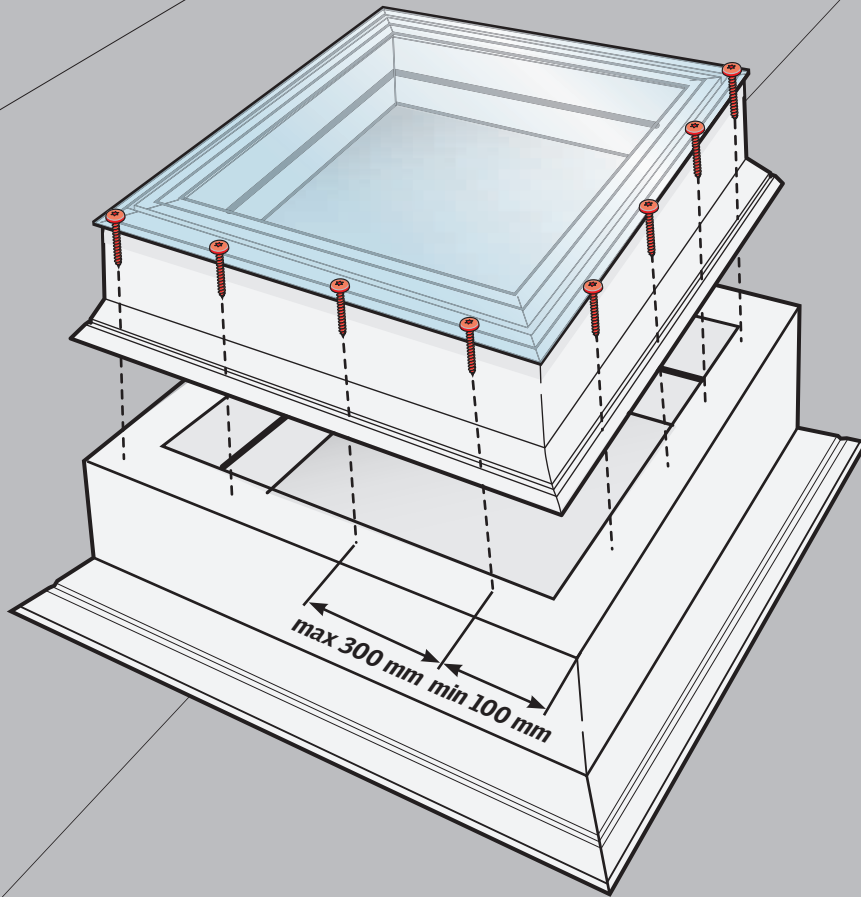


CXP	W mm	H mm
090120	900-910	1200-1210
100100	1000-1010	1000-1010
120120	1200-1210	1200-1210

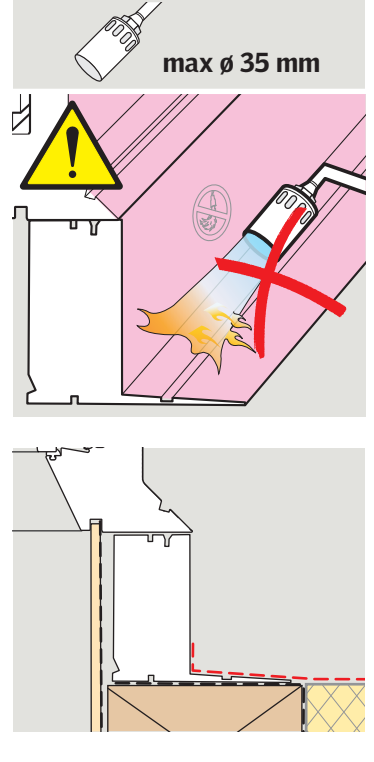
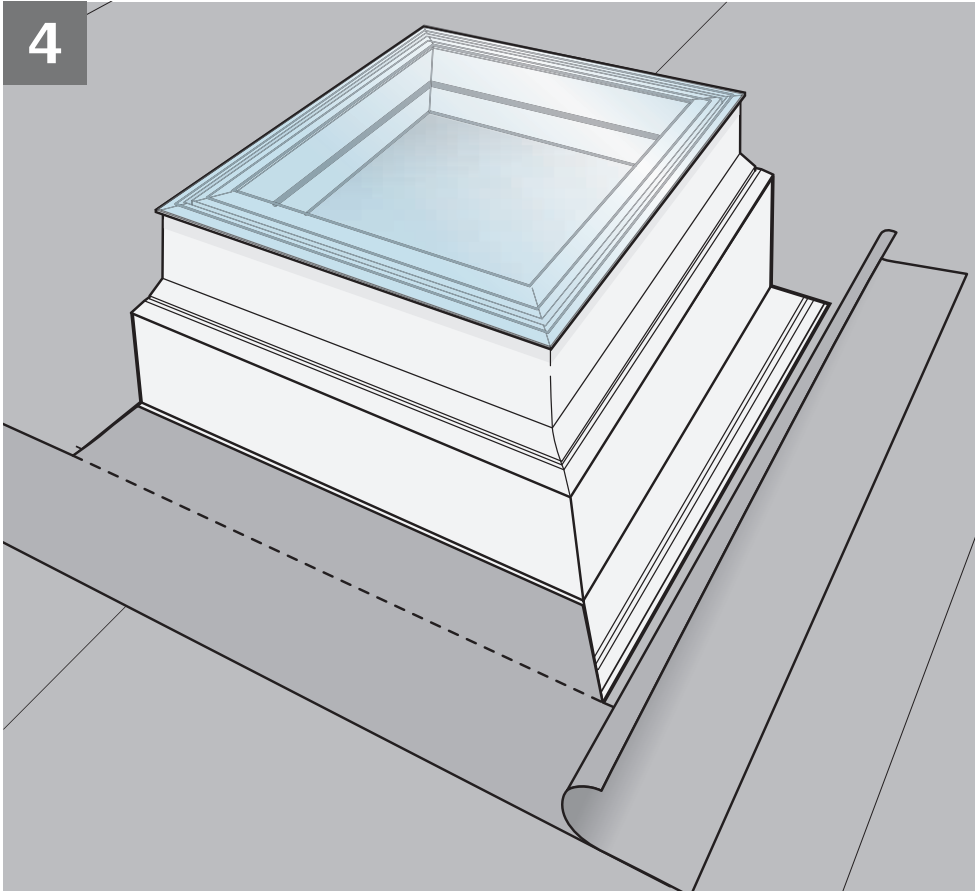




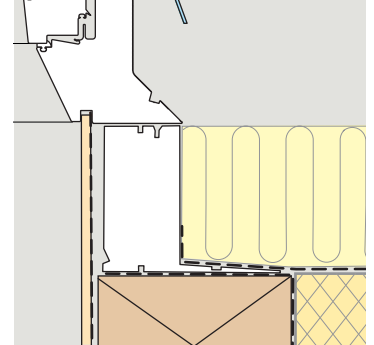
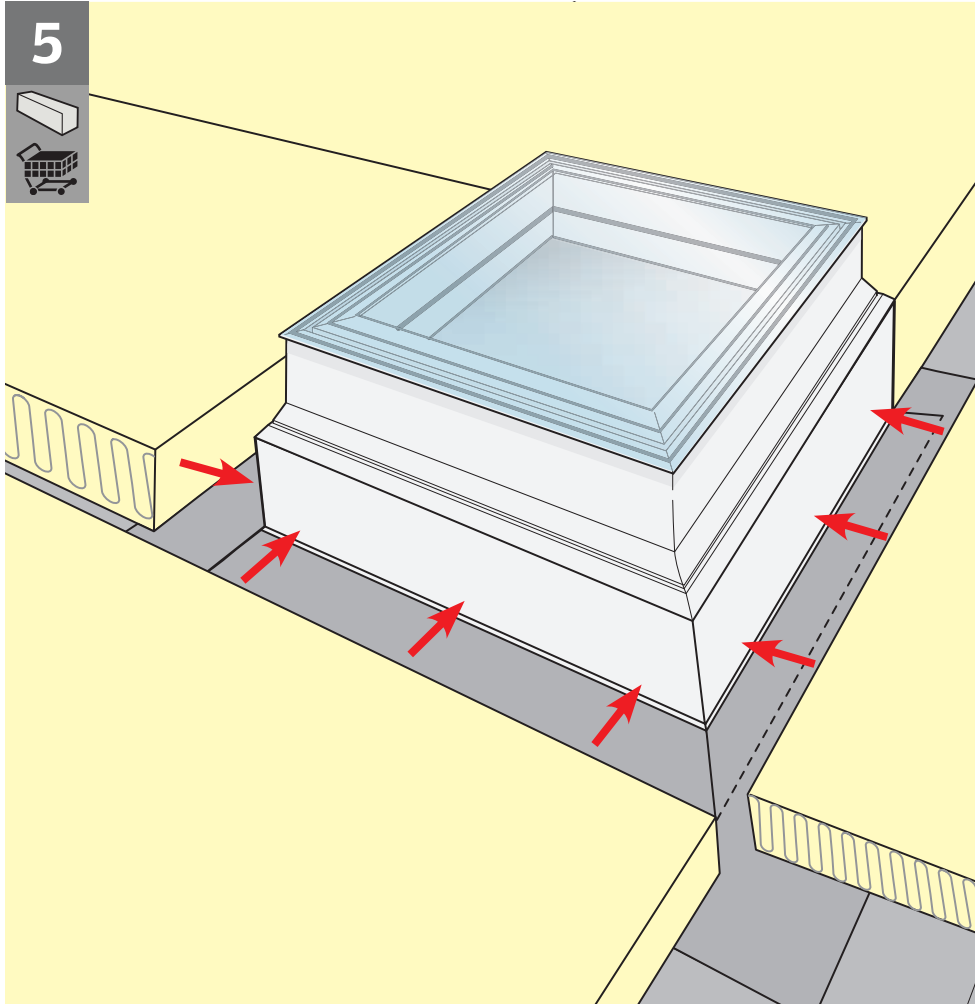
3



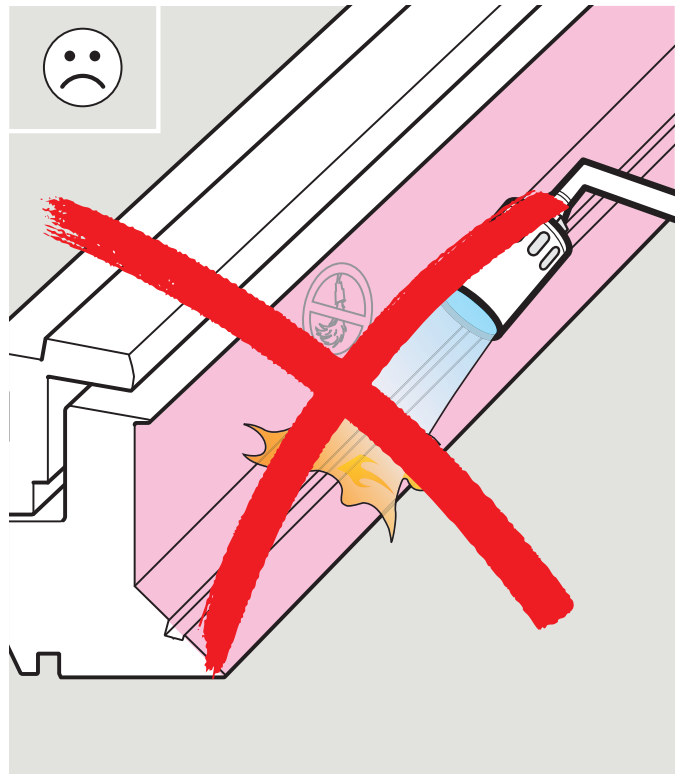
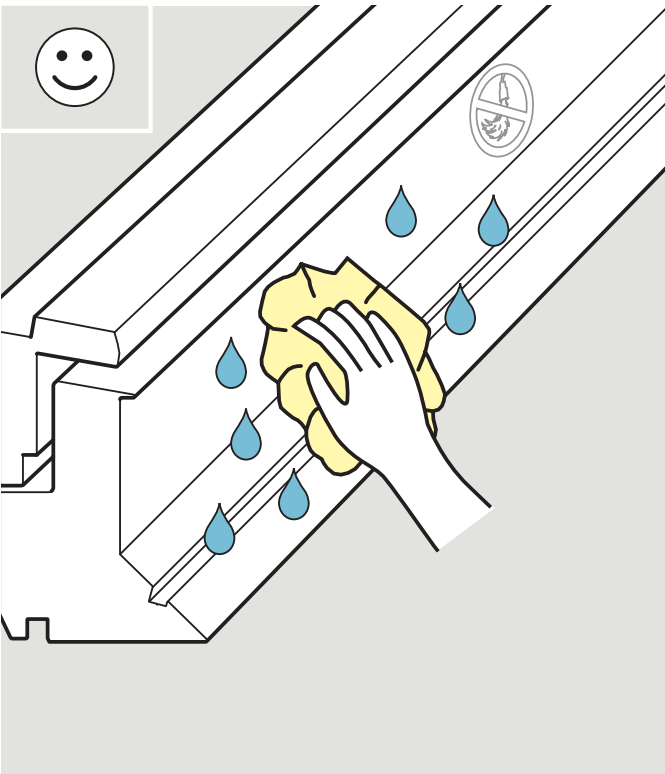
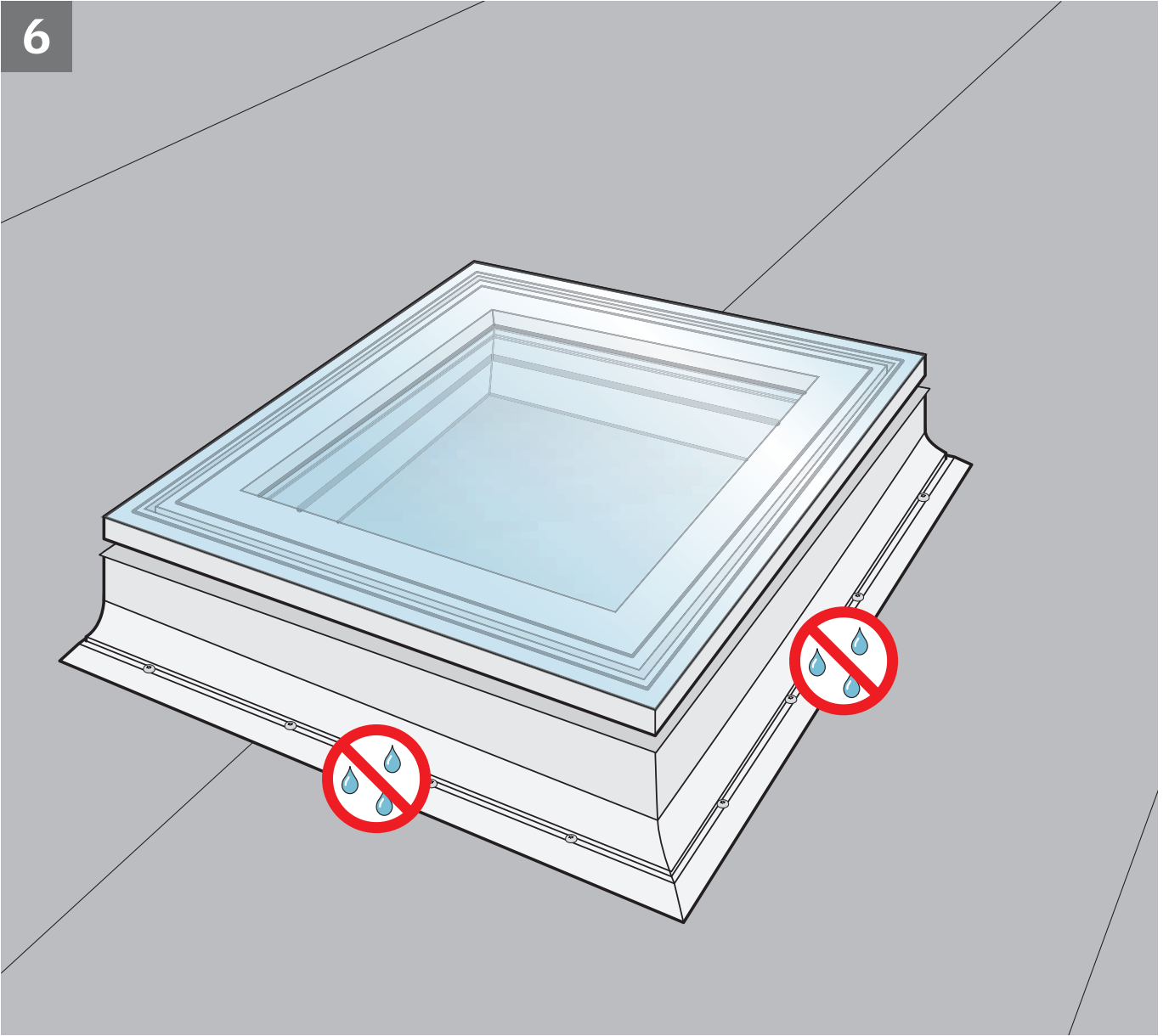
4



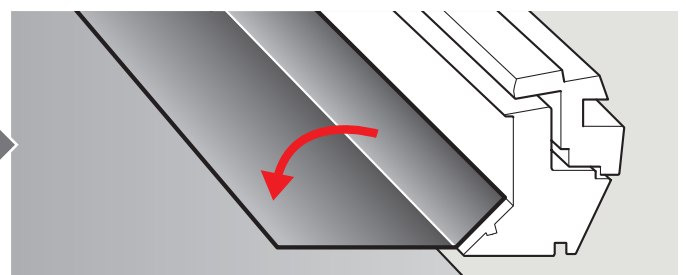
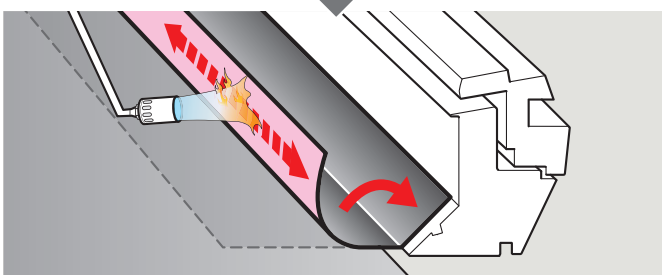
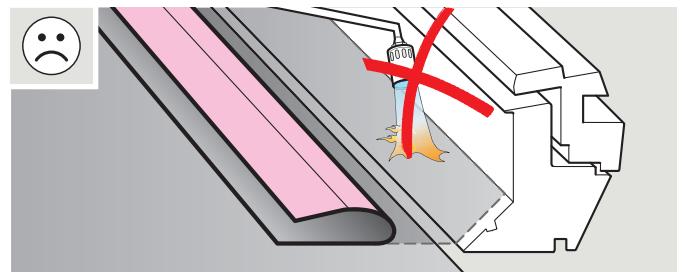
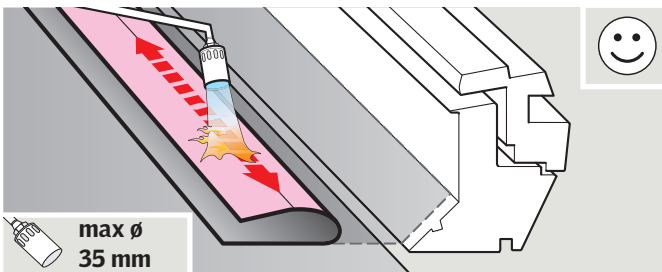
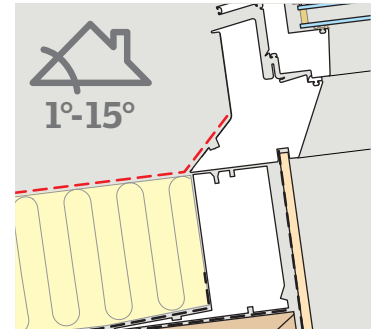
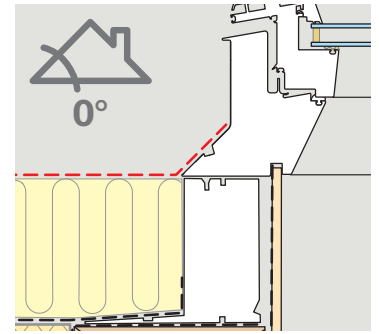
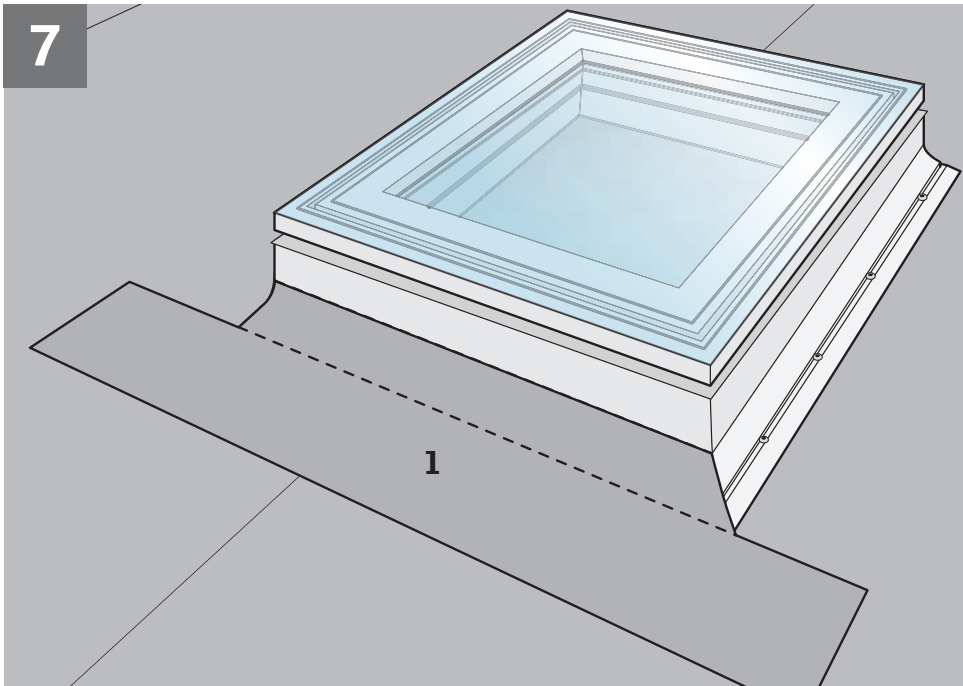
5



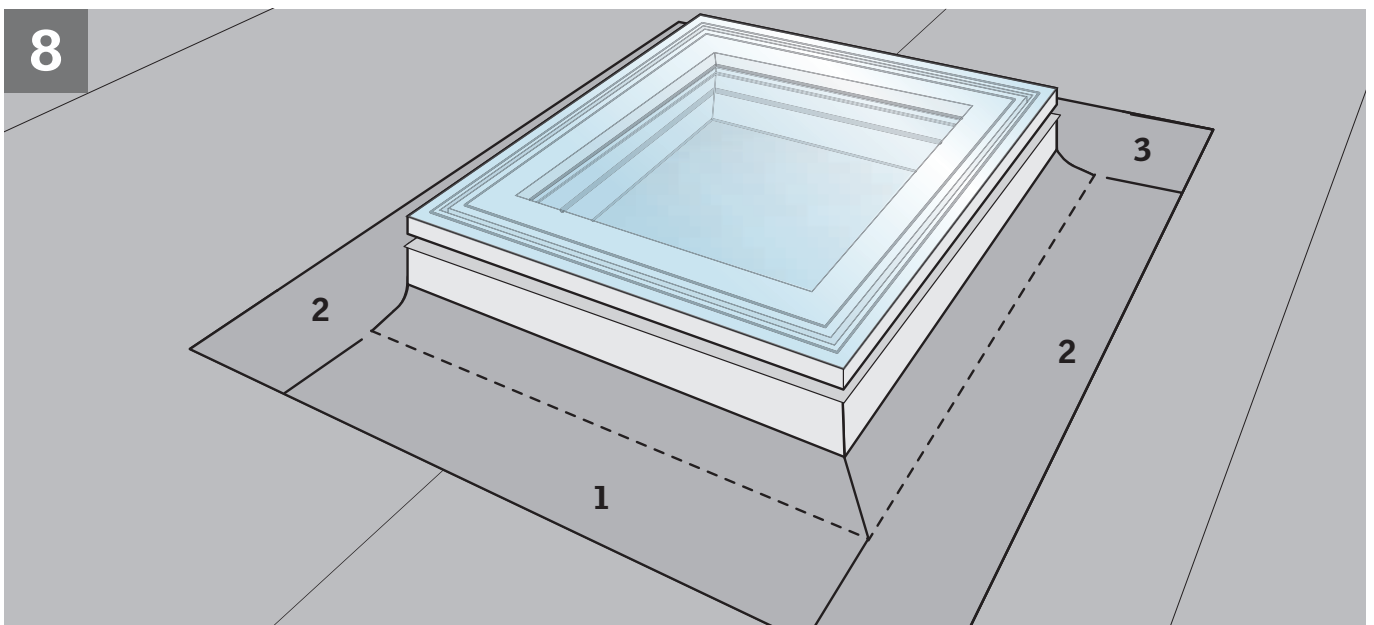
6



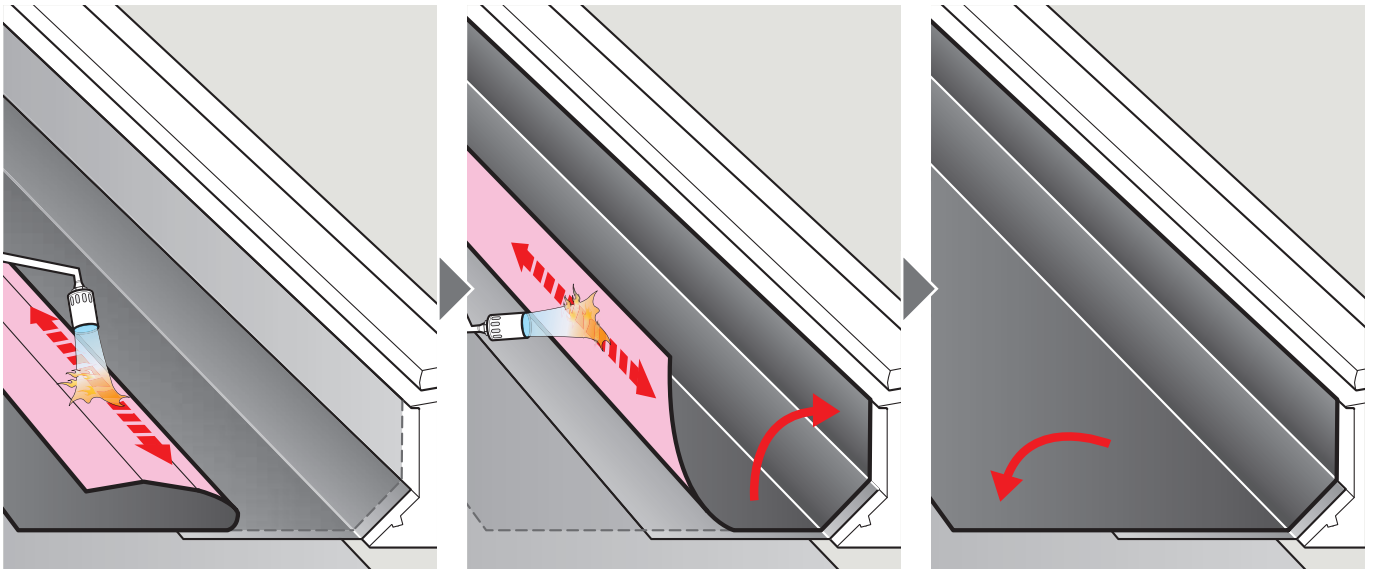
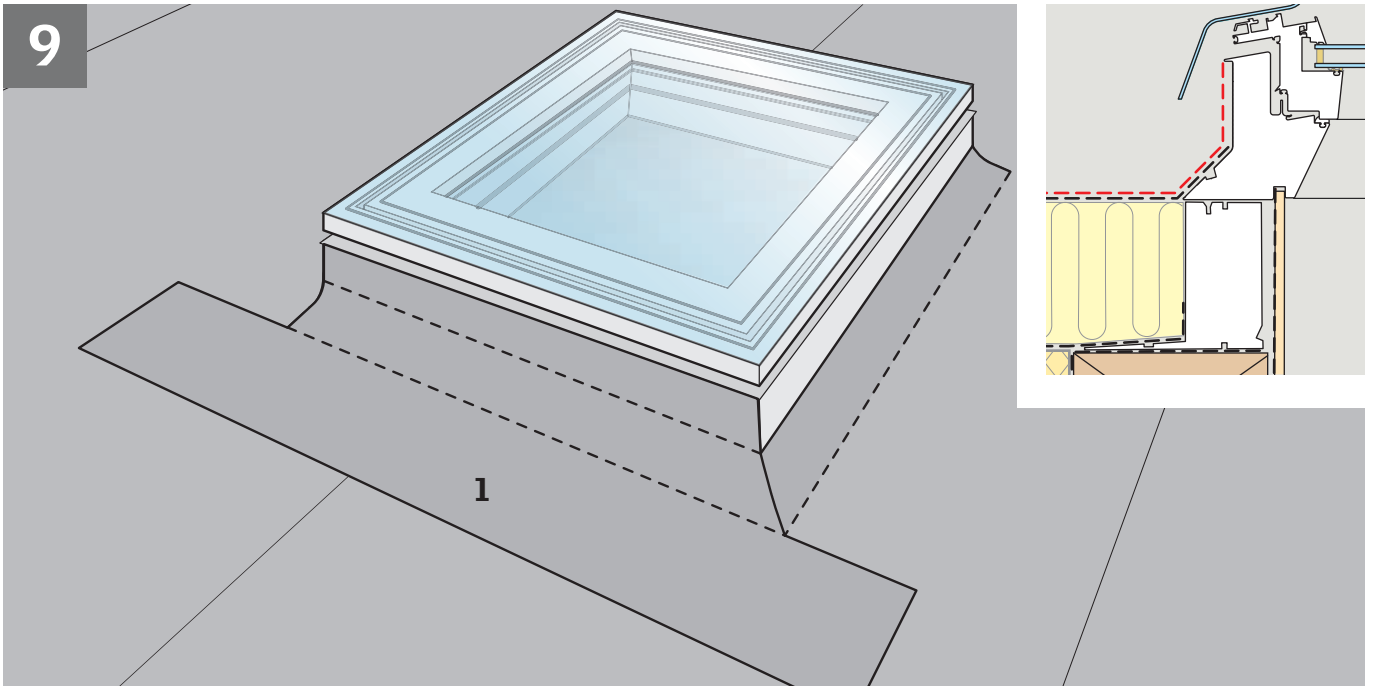
7



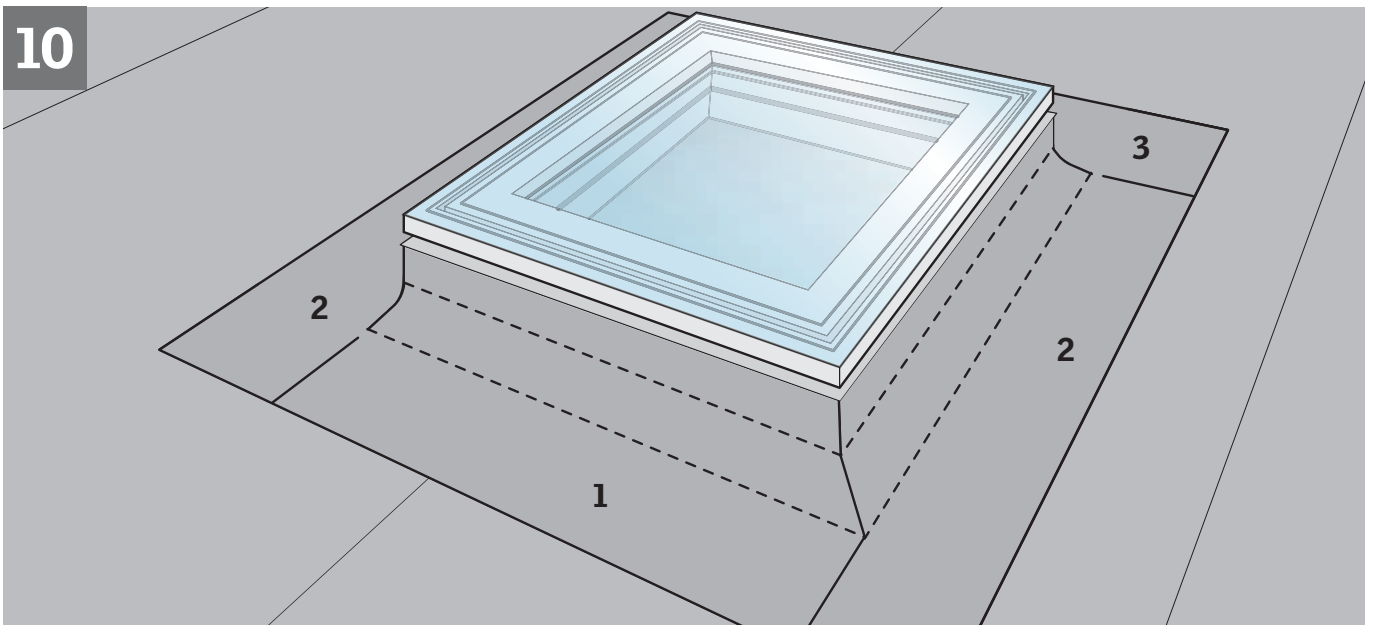
8



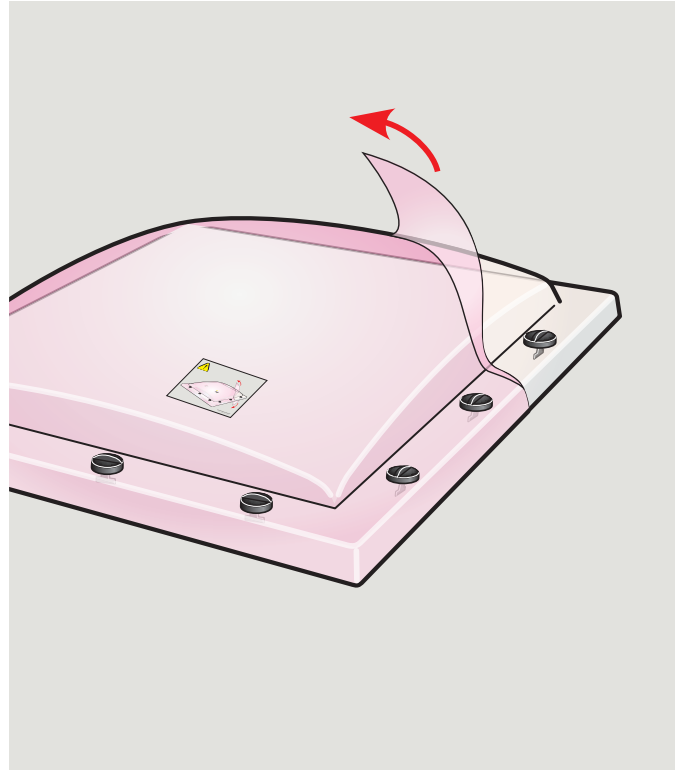
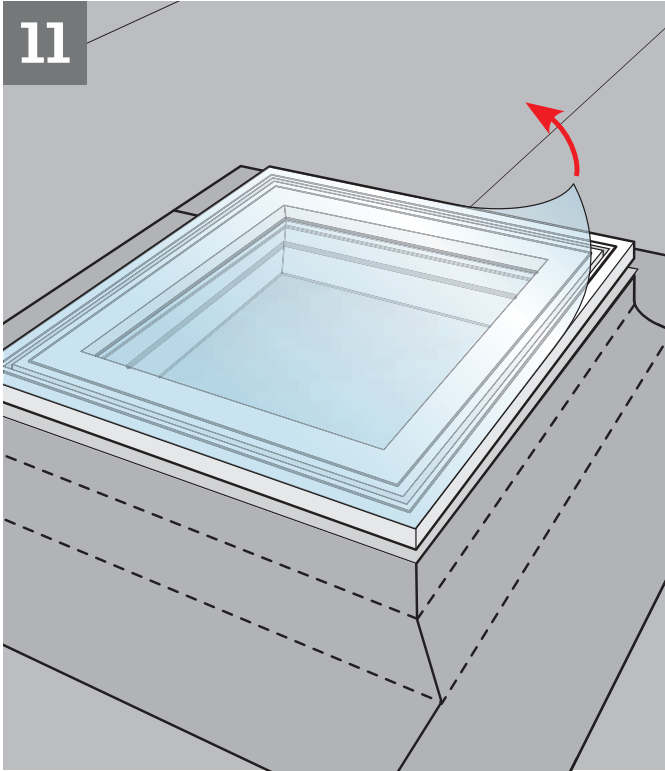
9



10



11



12

